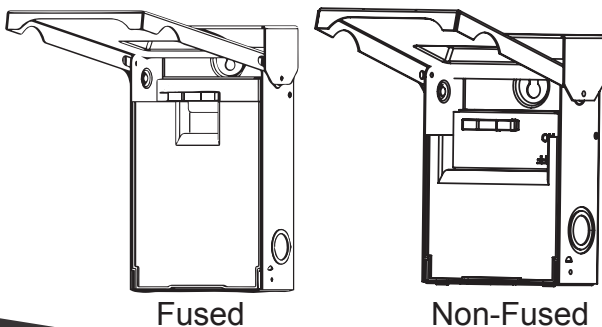


UPGRADED DESIGN

Fused & Non-Fused 30 AMPS & 60 AMPS Air Conditioner Pull-Out Disconnects

- Durable Material - Made with high quality materials Powder Coated Galvanized Steel enclosure is NEMA 3R rated, ANSI certified and UL listed.
- High Capacity, this AC disconnect can handle heavy electrical loads, providing efficient and reliable performance
- Easy to Install - Featuring a simple and easy-to-use design, these AC disconnects can be easily installed by a licensed contractor.
- Convenient Knockouts - 6 multi-size knockouts on 4 sides in 1/2" 3/4" & 1" trade sizes.
- Fused & Non-Fused Pullouts - Indicate on/off position
- Padlockable Door - For safety and security, enclosure can be locked with pullout stored inside in the off position
- Non-Fusible Pullout 60 AMPS. 120/240 Volts
- Fusible Pullout 30 AMPS & 60 AMPS, 120/240 Volts
- Non-Fused Size: 2 3/4" in. W x 7 1/2" in. H x 5 1/8" in. L
Fused Size: 2 3/4" in. W x 8 3/4" in. H x 5 1/8" in. L
- cULus Listed



Part Number	Enclosure Material	Phase	Main Amp Rating	Case Qty
FUSIBLE, PULLOUT				
G8062	Galvanized Steel	1	30A	10
G8063	Galvanized Steel	1	60A	10
NON-FUSIBLE, PULLOUT				
G8064	Galvanized Steel	1	60A	10

#Trust the

Eaton offers the industry's most complete line of ACDs (Air Conditioning Disconnect). Devices are made in Mexico and are available in fused, non-fused, molded case switch or three phase designs, and in metal or plastic enclosures for all applications.



DISCONNECTS & PULLOUTS



- Manufactured by Eaton
- NEMA 3R outdoor enclosure
- Select models with premium packaging and display box
- Switch and pullout models
- Galvanized Steel or durable non-metal

Part Number	Enclosure Material	Phase	Main Amp Rating	Case Qty
NON-FUSIBLE MOLDED CASE SWITCH DISCONNECT				
8068	Galvanized Steel	1	60A	10
80643P	Galvanized Steel	3	60A	5
FUSIBLE, PULLOUT WITH GFI*				
8062GFI	Galvanized Steel	1	30A	10
FUSIBLE, PULLOUT				
8062	Galvanized Steel	1	30A	10
8063	Galvanized Steel	1	60A	10
8062NM	Non-Metallic	1	30A	10
8063NM	Non-Metallic	1	60A	10
NON-FUSIBLE, PULLOUT				
8064	Galvanized Steel	1	60A	5
8064NM	Non-Metallic	1	60A	10
8064P**	Non-Metallic	1	60A	10

*GFI Receptacle is 15A, 120VAC

Scan for extended product details



#Trust the 